

PTC CREO 3 Parametric Training Program



In this course, you will learn core modeling skills and quickly become proficient with CREO Parametric 3.0. Topics include sketching, part modeling, assemblies, drawings, and basic model management techniques. The course also includes a comprehensive design project that enables you to practice your new skills by creating realistic parts, assemblies, and drawings.

This Program is ideally suited to following individuals who are:

- Matriculated Passed or Intermediate candidate can apply for this course
- University Graduates who are doing their graduation in the concerned fields
- Already working mechanical, electrical engineers, architects who are willing to update and learn the new features of CREO 3D Modeling.
- Who want to be good and reputable jobs in the market and are like to enhance their skills in CREO Software.

Program is offered by: 3D Educators – Trainers & Consultants

Table of Contents

Detail

Inauguration

Structure

Topics & Time Allocation

Other Learning Activities

About the Program Designer & Instructor

Syllabus

Program Details

Inauguration

The Training Program will be inaugurated by a senior member of 3DEducators and completely Lab Oriented base.

Program Structure

Number of classes in a week	One Class Per Week
Duration of each class	2 – Hour
Total Duration	2 Month

About the Program Designer & Instructor

The Profile of Program Designers & Instructors is given below:

The “**CREO 3.0 Parametric**” Program has been designed by PTC and will be conducted the Senior Engineers who has more than seven years of experience in the field of 3D Modeling, Design, Development and Engineering..

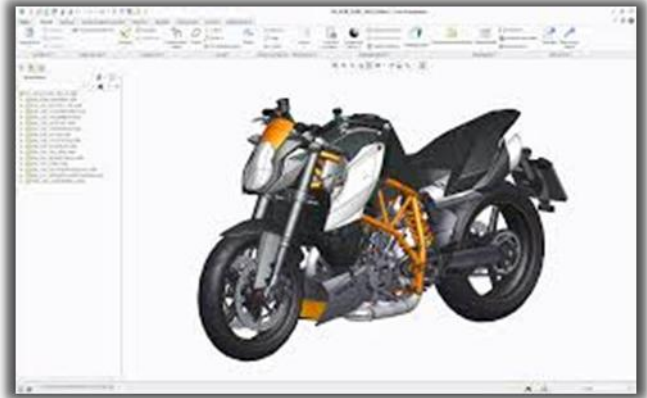
The trainers are skilled and have been providing his services in industry for last 12 years and conducting so many different sessions of CREO and work or develop many real time applications for here and abroad.

At present, faculty is working in the same technology and working as a senior position in the renowned organization, further he is also involved with 3D EDUCATORS as trainer since many years.

Program Syllabus

PTC Creo Parametric 3.0

PTC Creo Parametric 3.0 is a parametric modeling system that provides the powerful 3D CAD capabilities to create challenging design products. It uses proven technologies from Pro/ENGINEER and other hundreds of new capabilities for design productivity.

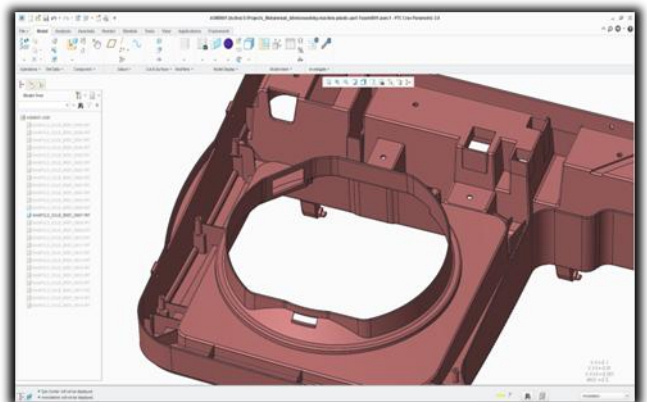


Reasons to Upgrade from Pro/ENGINEER to PTC Creo Parametric 3.0

PTC Creo Parametric 3.0 provides powerful, reliable & easy to use modeling tools that accelerate the product design process. There are different versions of PTC software that have different capabilities. Every new version of PTC software has enhanced revolution with great capabilities. There are top ten enhanced capabilities that attract PTC users to shift from Pro/ENGINEER to PTC Creo 3.0.

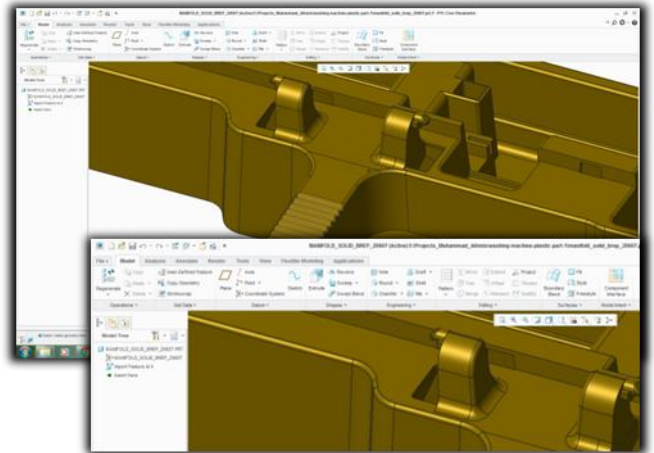
1. Enhanced User Interface

PTC Creo Parametric 3.0 has an enhanced user interface that is suitable for those who are using Pro/ENGINEER. User doesn't feel uncomfortable during work and feel similar to Pro/ENGINEER but with power full easy to use environment.



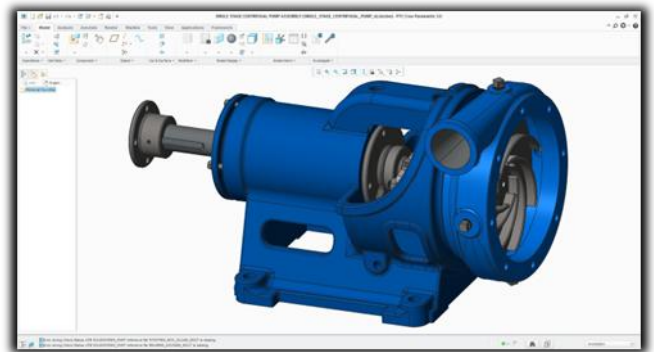
2. Industry-Leading User Experience

PTC Creo Parametric 3.0 has revolutionized user interface that is similar to world leading Microsoft products. In Previous versions of Pro/Engineer, user felt uncomfortable during opening a lot of menus to activate just a single command. But now it is converted to ribbon user interface with a lot of command buttons.



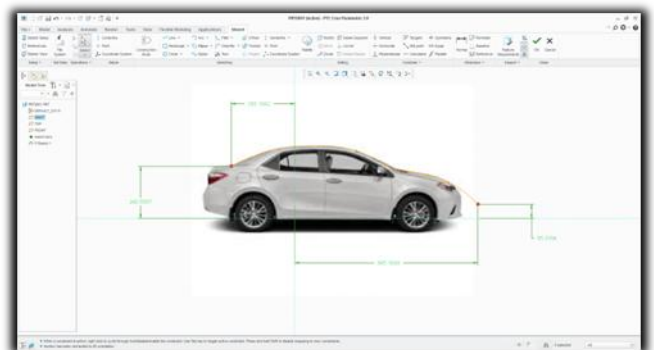
3. Flexibility In Designing

PTC Creo Parametric 3.0 has added flexibility in designing of complex freeform shapes with easy to use environment. The user feels relaxation in creating complicated freeform surfaces & shapes which were difficult and time consuming in previous versions of Pro/ENGINEER.



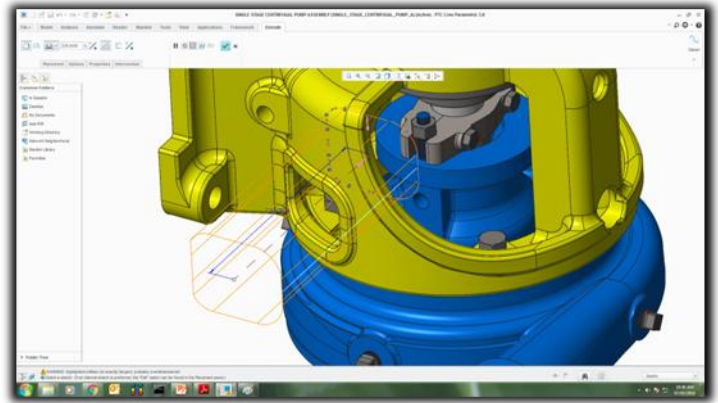
4. 2D Conceptual Designing

PTC Creo Parametric 3.0 has converted it's 2D sketching environment like a free hand sketch. The user can create complex 3D models & surfaces using power full 2D sketcher. The user directly sketch on to a photo like tracing to create complex 3d shapes with easy to use environment.



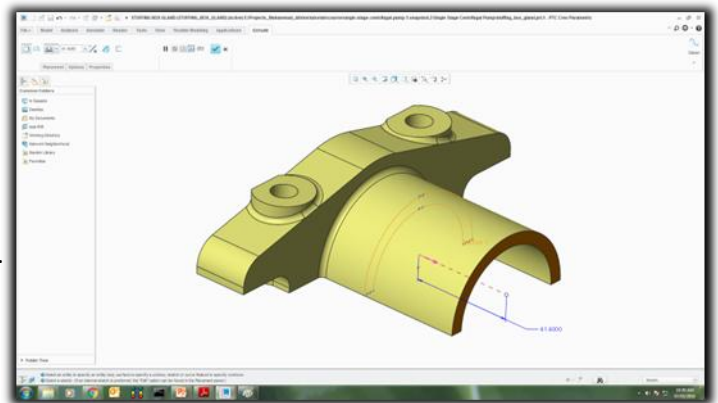
5. Fast Sketching Productivity

PTC Creo Parametric 3.0 is revolutionary enhanced in creating fastest 3D model. The user now can create & change complex 3d features quickly which are fully parametric. Every command like extrude, revolve, sweep etc. was not easy in previous versions of Pro/ENGINEER as are in PTC Creo Parametric 3.0.



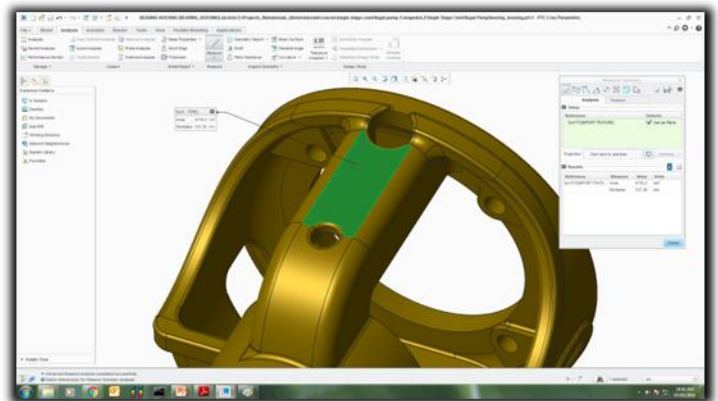
6. Fast 3D Modeling

PTC Creo Parametric 3.0 has added more enhancements in core designing. The user now can create 3D part model faster than previous versions of Pro/ENGINEER. Many complex geometry commands like parallel blend, rotational blend, helical sweep etc. have additional controls & options to create complex 3D models.



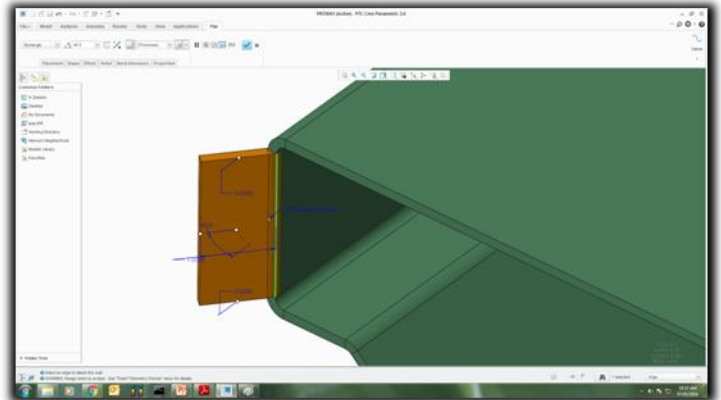
7. 3D Measurement

PTC Creo Parametric 3.0 provides an intelligent 3D measuring tool. The user can create & measure 3D model with relevant geometric information like area, volume, distance, diameter etc. with a new enhanced environment.



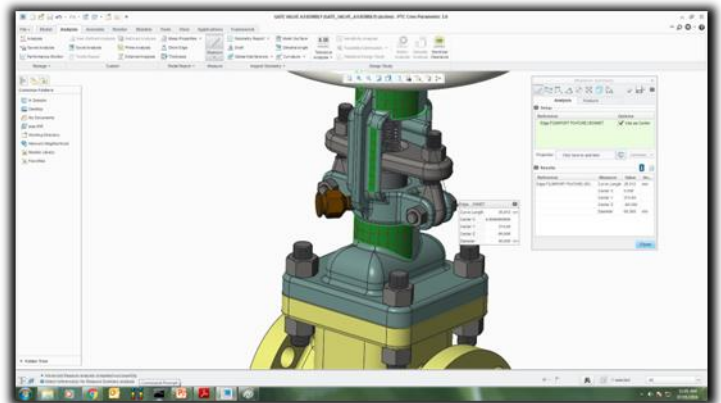
8. Sheet metal Efficiency

PTC Creo Parametric 3.0 has now industry leading capabilities in sheet metal module. The user can make complicated sheet metal components with easy to use enhanced tools & commands that never were in previous versions of Pro/ENGINEER. All features that are used in sheet metal like bend, flange, sketch based form etc. are very robust and powerful.



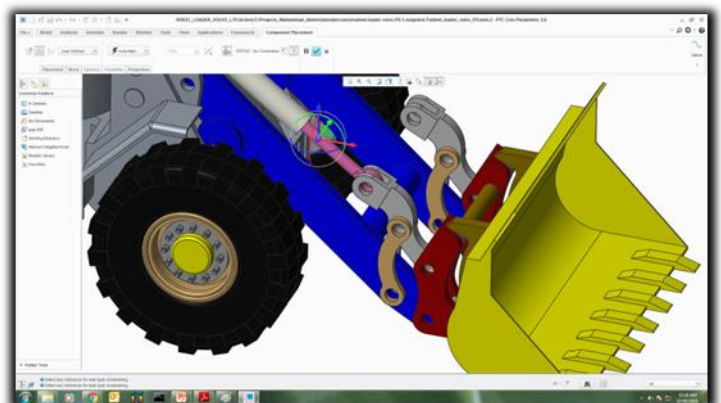
9. Assembly Revolution

PTC Creo Parametric 3.0 is truly parametric software that updates every part in an assembly even a mere change occurred in designing. The user can create 3D sectioning in an easy way and if any problem occurs then PTC Creo 3.0 performs real-time interference checking of all parts within the assembly.



10. Massive Assembly

PTC Creo Parametric 3.0 is completely different than Pro/ENGINEER. The user can work on massive assembly faster up to 40 times. Component placement constraints & 3D dragger provide us powerful command to make massive assemblies with great performance.



COURSE LAYOUT

1	Introduction to the Creo Parametric Basic Modeling Process
2	Understanding Creo Parametric Concepts
2	Using the Creo Parametric Interface
4	Selecting Geometry, Features, and Models
5	Editing Geometry, Features, and Models
6	Creating Sketcher Geometry
7	Creating Sketches for Features
8	Creating Datum Features: Planes and Axes
9	Creating Extrudes, Revolves, and Ribs
10	Creating Sweeps and Blends
11	Creating Holes, Shells, and Draft
12	Creating Rounds and Chamfers
13	Group, Copy, and Mirror Tools
14	Creating Patterns
15	Measuring and Inspecting Models
16	Assembling with Constraints
17	Assembling with Connections
18	Exploding Assemblies
19	Drawing Layout and Views
20	Creating Drawing Annotations
21	Investigating Parent/Child Relationships
22	Resolving Failures
23	Making Project

ONLINE LIVE CLASSES FACILITY AVAILABLE

- Instructor Led Training
- Real Time Presentations
- Interactive Classes
- Complete Notes and Other Stuff shall be provided through our Secure Student Login Member's Area
- For Online Live Classes, you may please download the Admission Form through our website <http://www.3deducators.com>. Fill it properly and attached the required document along with Picture and send back to info@3deducators.com with scanned fee submitted voucher in the bank.
- For Pakistan you may submit the fee at any MCB Branch with the title of "3D EDUCATORS-TRAINERS & CONSULTANTS".
- If you are outside Pakistan then you may transfer via Bank to Bank or any western union, Fast Track, Money Gram or else International Transfer Body.
- After Admission, if you don't have GMAIL Account then you are requested to kindly make one GMAIL Account and shared it info@3deducators.com. Then further correspondence shall be made by our institute official.
- Extra Bandwidth Charges shall be incurred.
- If you are outside country or city then extra courier charges shall be incurred for Certificate.

PRECAUTIONARY MEASURES

- ✓ During Classes, you are requested to make sure that you are in isolated room, where no noise should be there except your voice.
- ✓ Kindly Switch Off your Cell Phone during the class, because it will disturb the quorum of class.
- ✓ If you have taken the admission in the course online, ethically it is recommended and suggested that you only avail this facility.
- ✓ Recording of Lectures are not allowed at your end.

This world is emerging and growing in the 21st Century very rapidly because of latest and remarkable technologies and its advancement. Due to advancement of technology, we 3D EDUCATORS offer Live Interactive class sessions.

3D EDUCATORS believe on Information Technology and its systems. Now you can also avail this facility at your home.

DISTANCE NOT MATTER

You can join in the live classes Sessions of **3D EDUCATORS – TRAINERS & CONSULTANTS** from anywhere of the world.

CONTACT US:

9221-34141329

9221-34857148

0333-2402474

0322-2083032

info@3deducators.com

<http://www.3deducators.com>

(Get the Admission Form)

[Admission Form](#)

MANAGEMENT

3D EDUCATORS – TRAINERS & CONSULTANTS